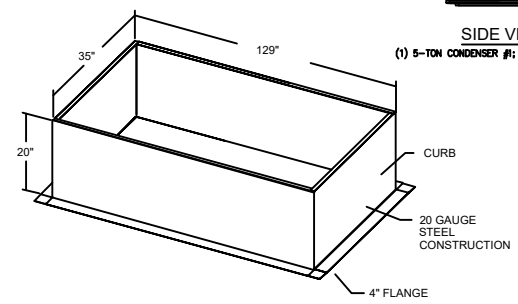
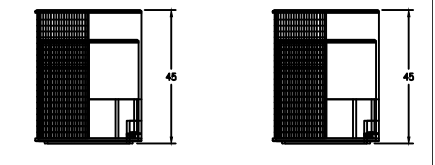
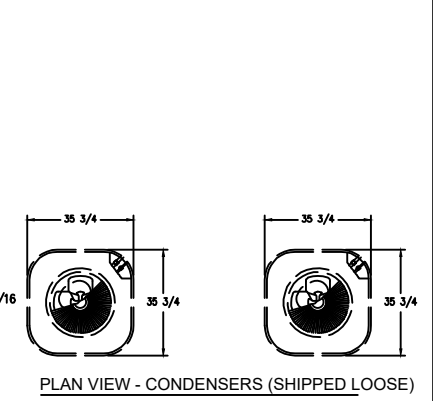
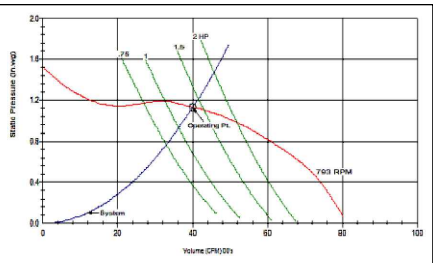
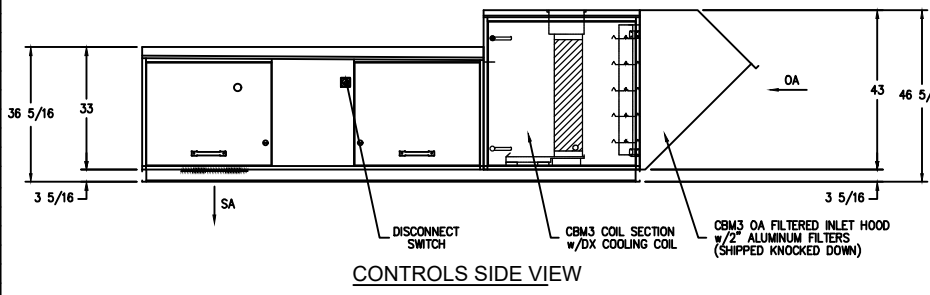
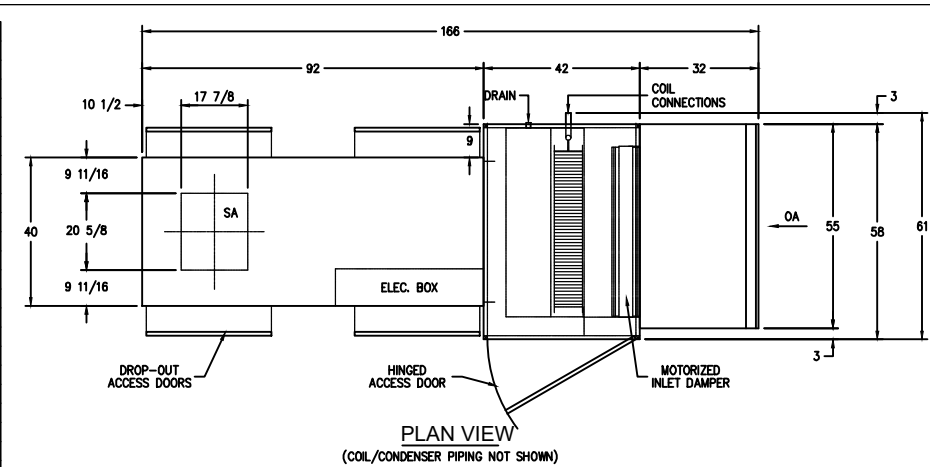


| UNIT DESCRIPTION | |
|---------------------------|-----------------------------|
| MODEL # | SF10-DX |
| WEIGHT | 955 lb |
| DISCHARGE DIRECTION | DOWN |
| AIRFLOW (CFM) | 4000 |
| EXTERNAL SP | .25 |
| TOTAL SP | 1.13 |
| FAN BHP | 1.27 |
| FAN RPM | 793 |
| MOTOR HP | 1 1/2 HP |
| POWER SUPPLY | 208/1/60 |
| FLA (AMPS) | 14 |
| MCA (AMPS) | 16.8 |
| MOP (AMPS) | 25 |
| SELECTION DATA | |
| AIRFLOW | 4000 CFM |
| ELEVATION | 1033 FT |
| ENTERING DB/WB | 93.9°F / 74.8°F |
| REQ'D LEAVING AIR DB/WB | 0°F / 0°F |
| REQ'D CAPACITY | 120 MBH |
| COILS PER BANK | 1 |
| FIN TYPE | 5/8" x 1.5" X 1.299" WAFFLE |
| FIN HEIGHT | 30" |
| FIN LENGTH | 42" |
| FIN MATERIAL | ALUMINUM .006 in. |
| TUBE MATERIAL | COPPER 0.020 in. |
| REFRIGERANT | R454b |
| LIQUID TEMP | 110°F |
| EVAP. TEMP | 56°F |
| LEAVING SUPERHEAT | 5°F |
| COIL CIRCUITING | INTERLACE 2 CIRCUIT |
| COIL HAND | RIGHT HAND |
| CASING MATERIAL | 16 ga. GALVANIZED |
| CONNECTION MATERIAL | COPPER |
| CONNECTION TYPE | SWT |
| COIL COATING | NONE |
| PERFORMANCE DATA | |
| MODEL | DXC03C11-30.00 X .42.00R |
| ROWS/FBI | 3 / 11.0 |
| TOTAL CAPACITY | 122.5 MBH |
| SENSIBLE CAPACITY | 93.4 MBH |
| LEAVING AIR DB/WB | 72.8°F / 67.0°F |
| FACE VELOCITY | 457.14 FPM |
| REFRIGERANT CHARGE | 4.61 lbs |
| AIR PRESSURE DROP | 0.33" WC |
| REFRIGERANT PRESSURE DROP | 2.92 PSI |
| TOTAL FEEDS | 5 FEEDS |
| TUBE VAPOR VELOCITY | 1175 FPM |
| SUCTION CONNECTION | 1.125" |
| SUCTION LINE VELOCITY | 1175 FPM |
| DISTRIBUTOR #1 | 502-2-5/16-3 |
| DISTRIBUTOR #2 | 501-3-1/4-3 |
| HOT GAS BYPASS CONNECTION | (1) PER DISTRIBUTOR |
| DRY WEIGHT | 92.1 lbs. |



(1) 5-TON CONDENSER #1; APPROX. 266 LBS. (1) 5-TON CONDENSER #2; APPROX. 266 LBS.

"IT IS THE RESPONSIBILITY OF THE ARCHITECT/OWNER TO ENSURE THAT THE HOOD RELEASES FROM LIMITED-COMBUSTIBLE MATERIALS IN COMPLIANCE WITH LOCAL CODE REQUIREMENTS."

"ALL EQUIPMENT IS UL LISTED COMPONENTS. NAKS HOODS ARE BUILT IN COMPLIANCE WITH: NFPA 96B & UL710 AND ARE RECOGNIZED BY ONE OR MORE OF THE FOLLOWING - NSF INTERNATIONAL -UL -OPENINGS ARE RECOMMENDED SIZES. DUCT OPENINGS TO BE CUT AND DUCTS INSTALLED IN FIELD."



| FAN UNIT NO. | FAN UNIT MODEL # | EXHAUST FAN | | | | | | | | | SUPPLY FAN | | | | | | | | | |
|--------------|------------------|-------------|-----|-----|------|-----|------|---|------|-----|------------|---------|------|------|------|-----|------|---|------|-----|
| | | MODEL | TAG | CFM | S.P. | RPM | H.P. | Ø | VOLT | FLA | BLOWER | HOUSING | TAG | CFM | S.P. | RPM | H.P. | Ø | VOLT | FLA |
| - | SF10-DX SF-1 | - | - | - | - | - | - | - | - | - | - | SF10-DX | SF-1 | 4000 | 0.25 | 793 | 1.5 | 1 | 230 | - |

| REVISIONS | | NORTH AMERICAN ELECTRICAL SOLUTIONS INCORPORATED | | | |
|--------------------|-------------|--|----|--|--|
| NO. | DESCRIPTION | DATE | BY | 172 READER COURT EVANSTON, OH 44123 | TEL: 440-885-1200 FAX: 440-885-2700 |
| EQUIPMENT SCHEDULE | | | | CONTRACT NO. - ITEM NO. - LOC. - QUANTITY - DATE - DWG# - | |